

Dosing for Infants and Children

Infants' **TYLENOL** | Children's **TYLENOL**

From Your Healthcare Professional

DOSE: Every 4 hours as needed. DO NOT GIVE MORE THAN 5 DOSES IN 24 HOURS.

If possible, use weight to dose; otherwise use age.

mL = milliliter
tsp = teaspoon



Infants' TYLENOL® Oral Suspension

Active Ingredient:
Acetaminophen 160 mg
(in each 5 mL)

Available in:
Grape
Cherry

Use product only as directed.

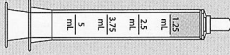
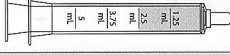
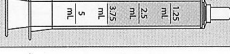
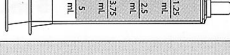







Children's TYLENOL® Oral Suspension

Active Ingredient:
Acetaminophen 160 mg
(in each 5 mL or 1 tsp)

Available in:
Grape
Cherry Blast

Use product only as directed.

WEIGHT	AGE	Infants' TYLENOL® Oral Suspension	Children's TYLENOL® Oral Suspension
6-11 lbs	0-3 mos	1.25 mL 	—
12-17 lbs	4-11 mos	2.5 mL 	—
18-23 lbs	12-23 mos	3.75 mL 	—
24-35 lbs	2-3 yrs	5 mL 	5 mL (1 tsp) 
36-47 lbs	4-5 yrs	—	7.5 mL (1½ tsp) 
48-59 lbs	6-8 yrs	—	10 mL (2 tsp) 
60-71 lbs	9-10 yrs	—	12.5 mL (2½ tsp) 
72-95 lbs	11 yrs	—	15 mL (3 tsp) 

IMPORTANT INSTRUCTIONS for Proper Use

Today's Date: _____
This dosing recommendation from your doctor will expire in 14 DAYS.

- Read and follow the label on all TYLENOL® products.
- Repeat dose every 4 hours while symptoms last.
- Do NOT give more than 5 doses in 24 hours.
- Do NOT use with any other product containing acetaminophen.
- Use only the dosing device (syringe or dosing cup) that came with the product.
- **All Infants' TYLENOL® and Children's TYLENOL® Oral Suspension products have the same acetaminophen concentration (160 mg/5 mL).**